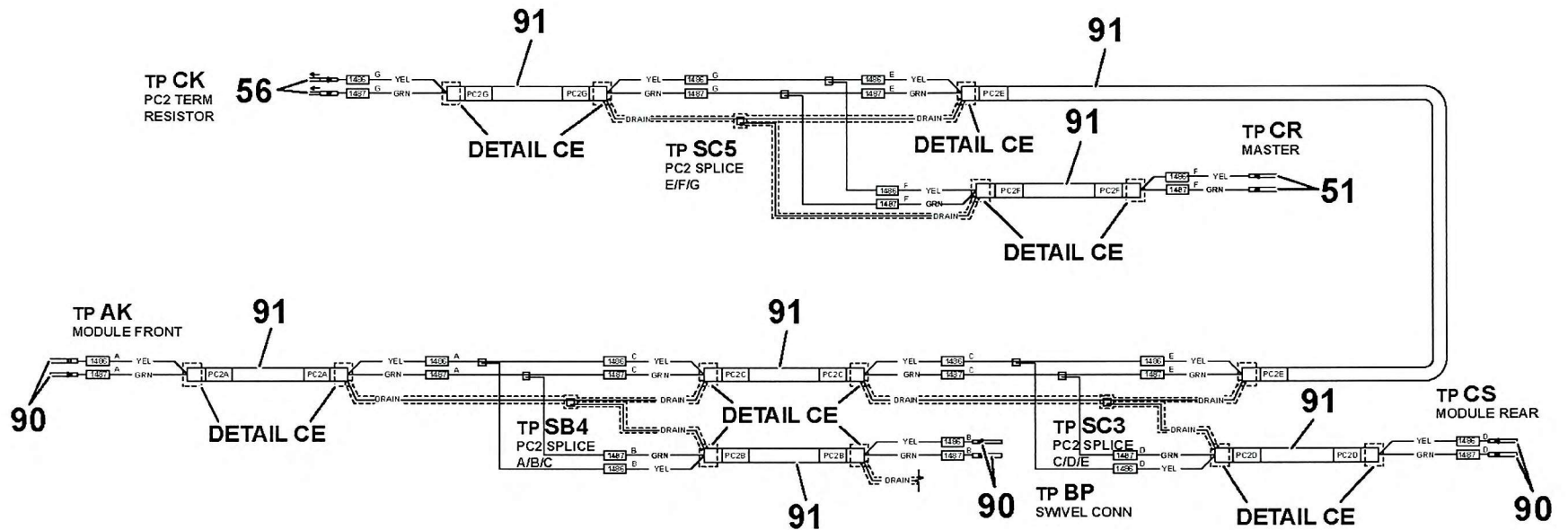
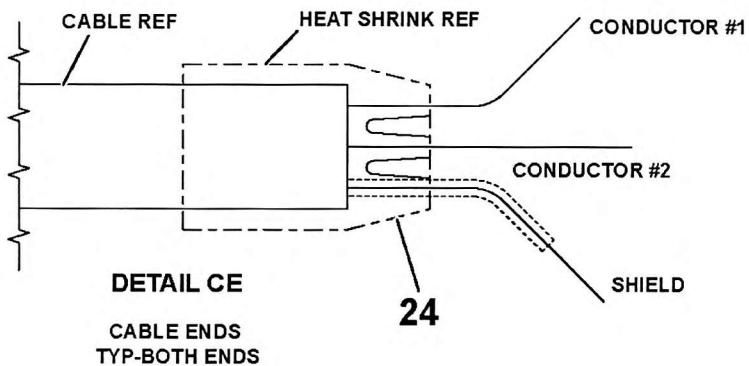
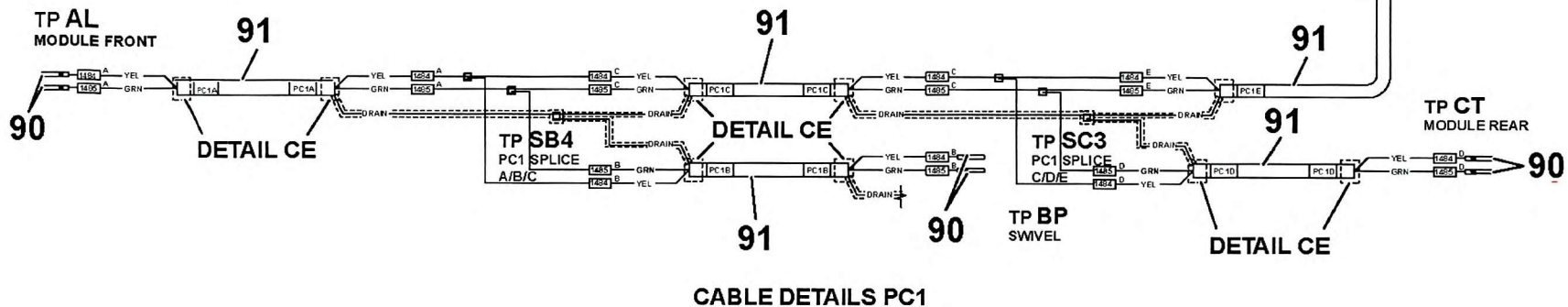
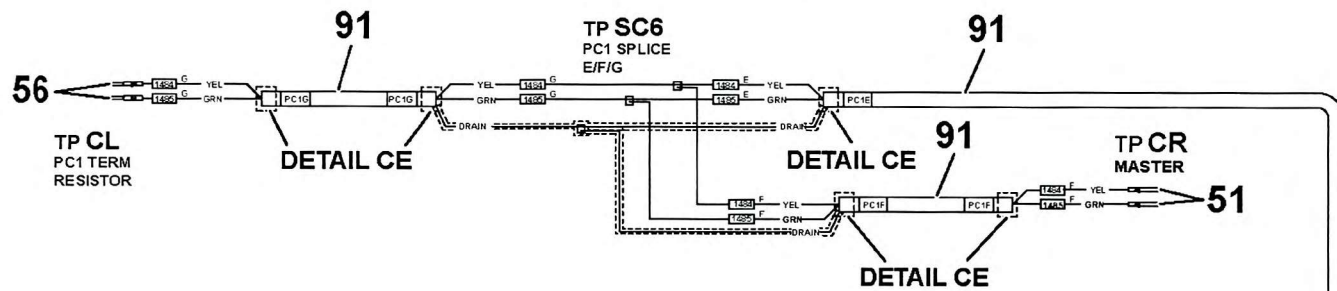
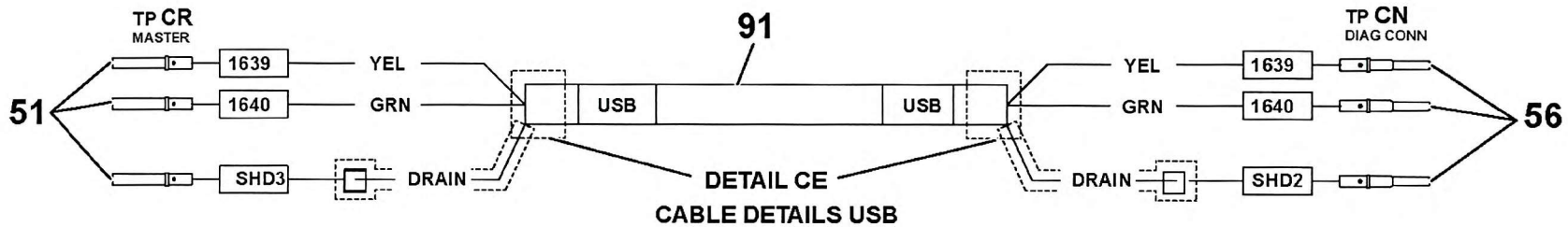
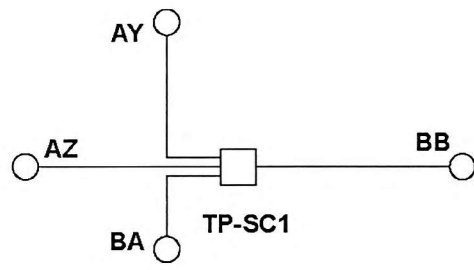


CABLE DETAILS J1939

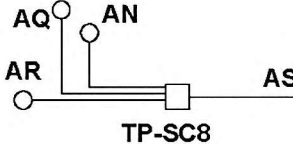


CABLE DETAILS PC2

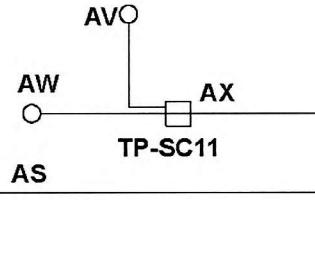




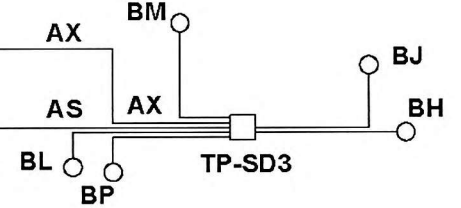
DETAIL 51



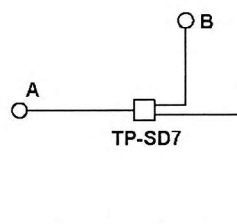
DETAIL 51



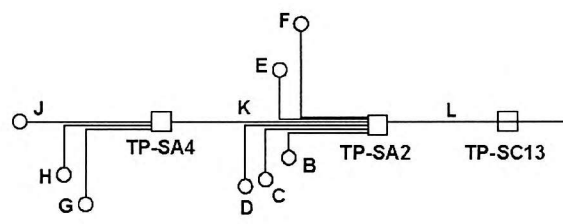
DETAIL 51



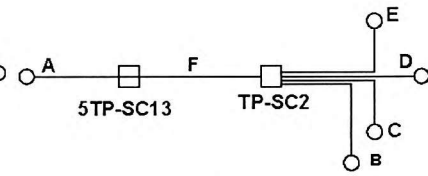
DETAIL 51



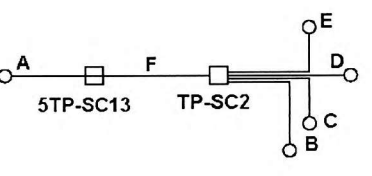
DETAIL 713



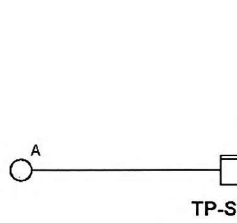
DETAIL 1414



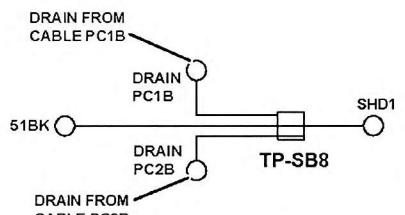
DETAIL 1432



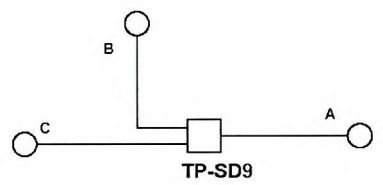
DETAIL 1433



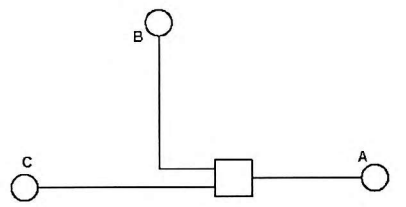
DETAIL 1674



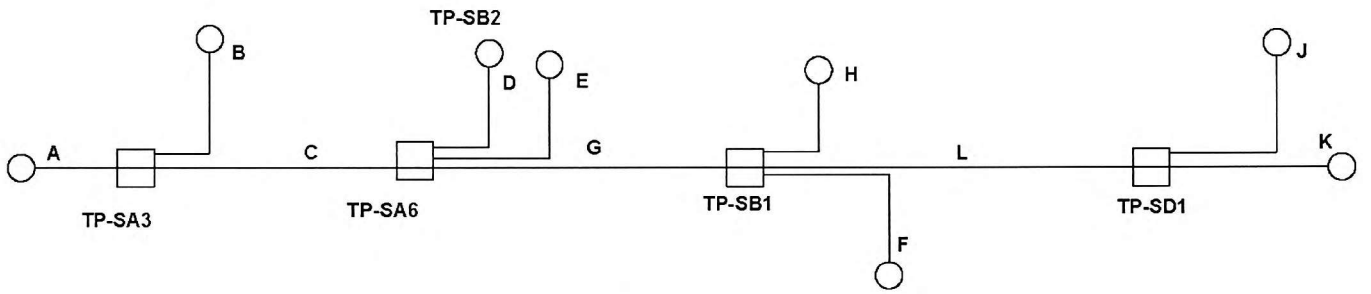
DETAIL SHD1



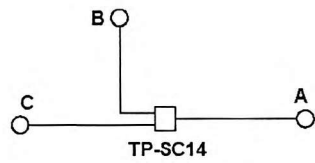
DETAIL 1283



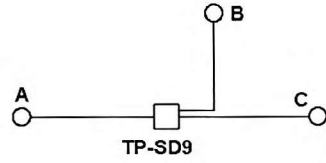
DETAIL 2164



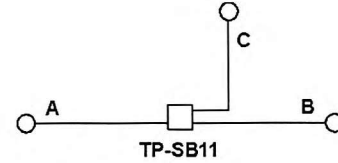
DETAIL 126



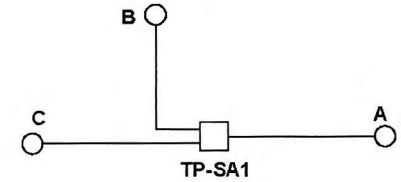
DETAIL 2



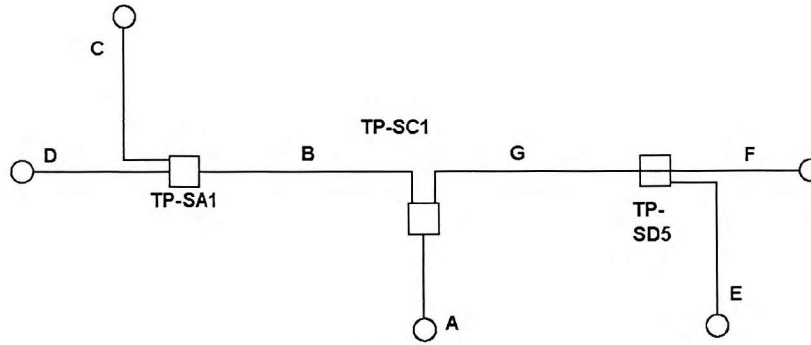
DETAIL 7



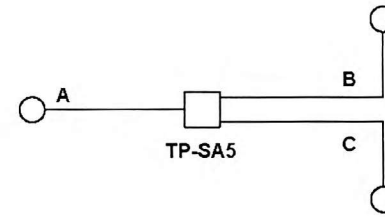
DETAIL 8



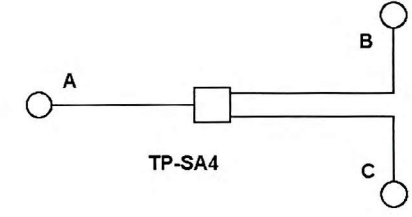
DETAIL 12



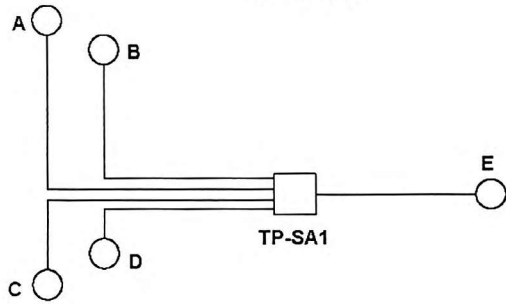
DETAIL 13



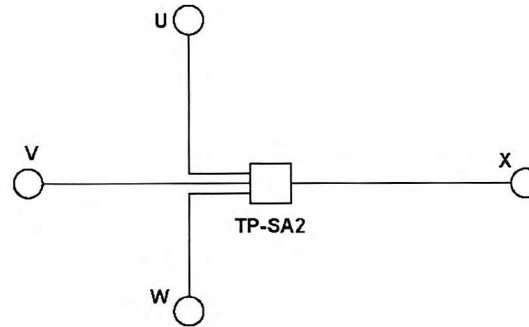
DETAIL 79



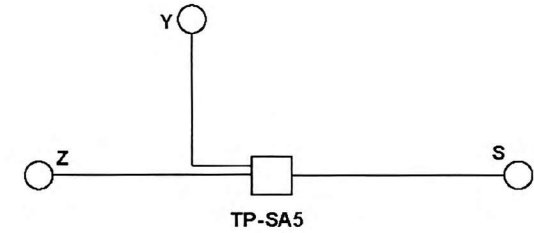
DETAIL 80



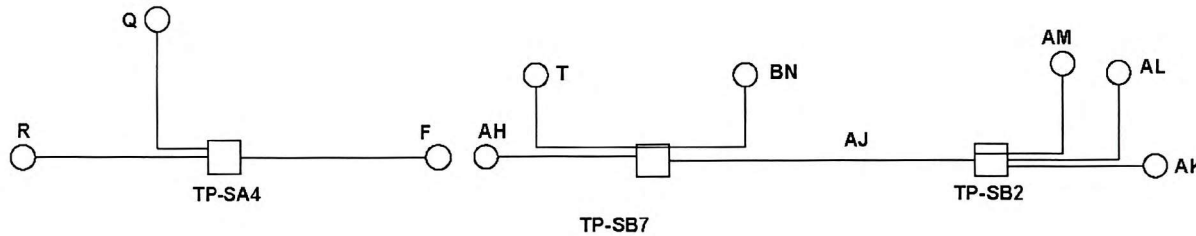
DETAIL 51



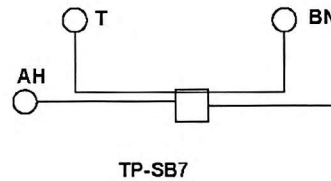
DETAIL 51



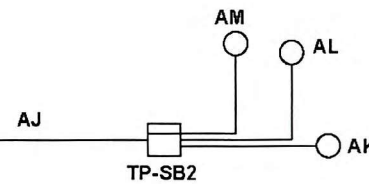
DETAIL 51



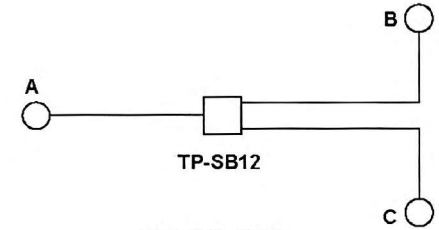
DETAIL 51



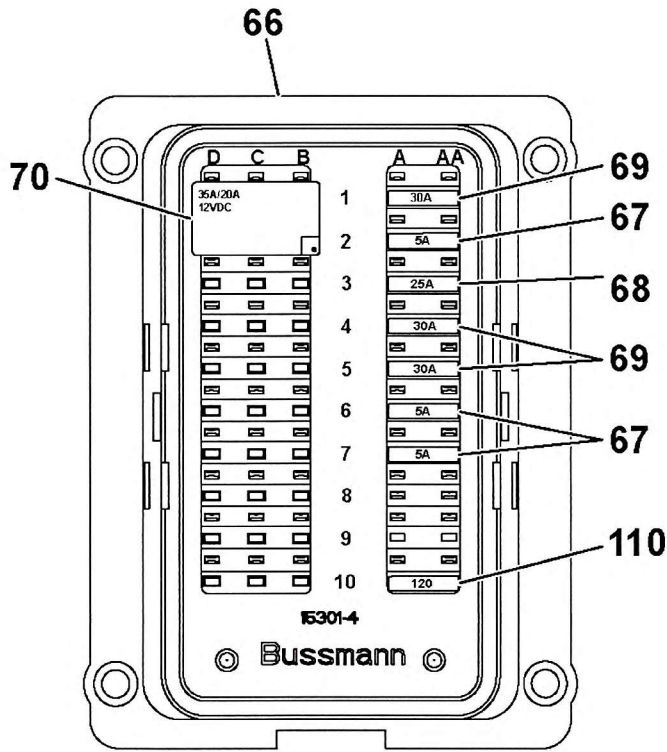
DETAIL 51



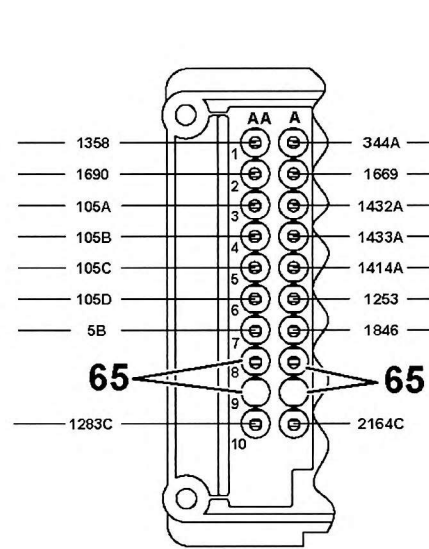
DETAIL 51



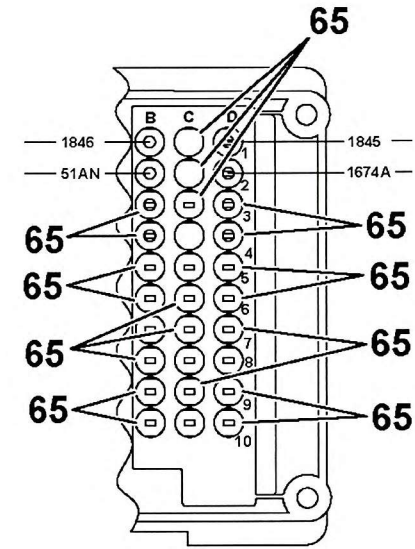
DETAIL 344



FRONT VIEW

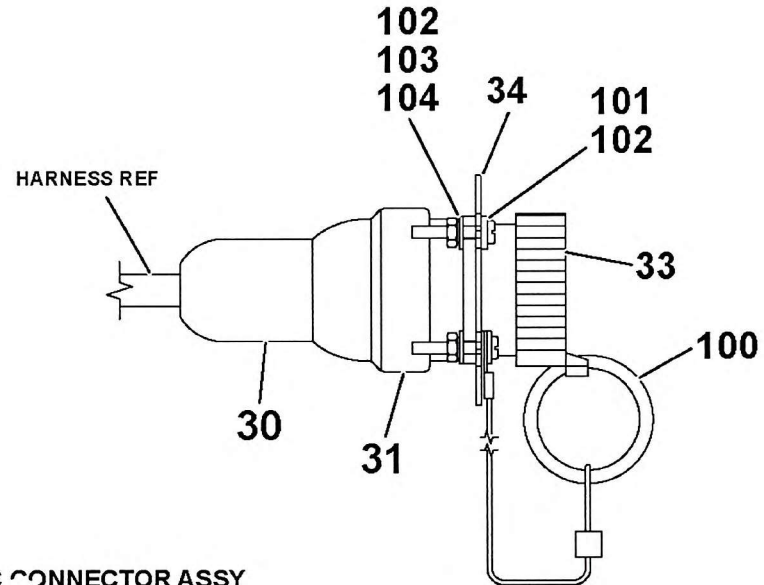
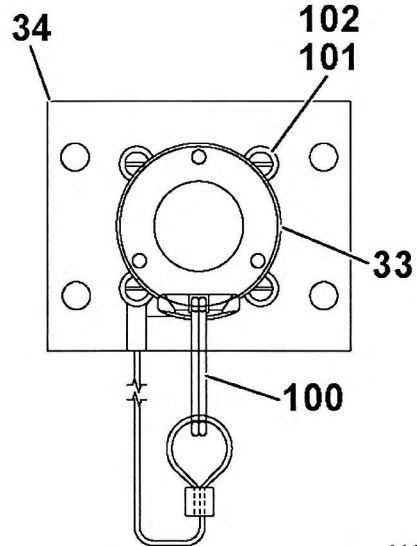


REAR VIEW
FUSES A1-A10



REAR VIEW
FUSES D1-D10

FUSEBLOCK



J1939 DIAGNOSTIC CONNECTOR ASSY